

AUTOMATIC TYPE FROM DUCTILE IRON



MOD. 5141

PN 16

DN 1"- 40/50/65

MOD. 5142

PN 25

DN 1"- 40/50/65

Flanged connection + shut-off ball valve, stainless steel fasteners.



SPECIAL FEATURES

- Single orifice type, fully automatic single function for releasing air under pressure.
- Performance according to the requirements of EN 1074.
- Body and cover high quality polyamide (Rilsan - PA11) powder coated (fusion bonded), coating thickness DFT min. 250 micron, zero porosity (tested with 3000V), high impact resistance and cross-linkage according to DIN 30677-2 and DIN 3476.
- Float from non-corrosive material, fully rubber lined.
- Special basket to keep float in optimal position during operation.
- Flanged connection with multi-size drilling.
- Minimum operating pressure for watertight: 0,5 bar.

» **PERFORMANCES:**
FUNCTIONAL DIAGRAMS AT PAGE 5.11

MATERIALS

Body and cover:

Ductile iron EN-GJS-400-15 / EN 1563
(former to DIN GGG40)

Float:

Polyamide, fully EPDM rubber lined - PN 10/16
Stainless steel 1.4301/ EN ISO10088
(equivalent to AISI304), fully rubber lined - PN 25

Basket:

ABS

Orifice:

Brass CuZn40Pb2

O-Rings:

EPDM rubber, potable water approved

Bolts/nuts/washers:

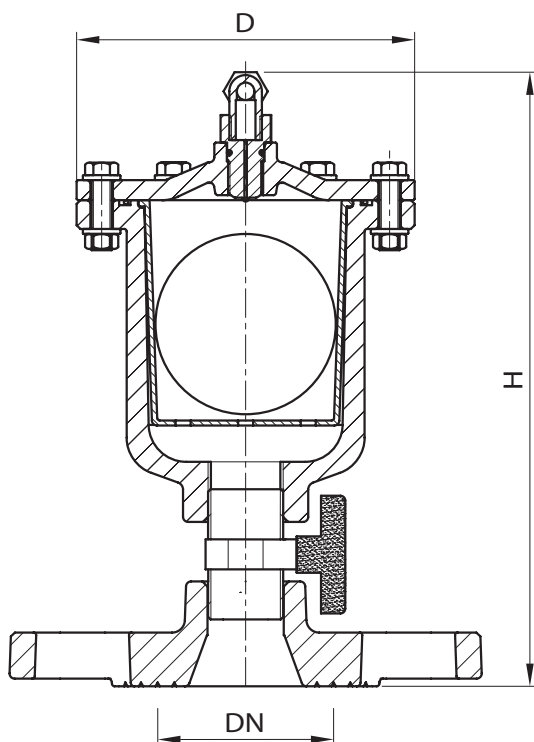
Stainless steel A2-70 / EN ISO 3506

Nipple:

Galvanised malleable iron, or stainless steel on request

Flange:

Ductile iron EN-GJS-400-15 / EN 1563
(former to DIN GGG40)



DN	PFA	D	H	Weight (kg)
1"- 40/50/65	0,5 - 16/25	135	275	6,7
1"- 80/100	0,5 - 16/25	135	280	8,5

All metal, rubber, and coatings used have been designed for contact with water for human consumption, pursuant to the terms of Italian Health Ministry decree n° 174, dated 6/4/2004.

