

SURFACE BOXES



MOD. 4401

MOD. 4402

Surface boxes with plastic body for application on sidewalks and roadsides.



SPECIAL FEATURES

- Surface box composed by plastic body and ductile iron cover with high quality EPOXY powder coating, complete with fixing guide stainless steel screw.
- Good chemical resistance and constant geometrical and mechanical characteristics at different temperatures.
- Reduced weight.
- Electrical/chemical corrosion free.
- No obstruction between body and cover due to frost.
- Noisless.

MATERIALS

Body

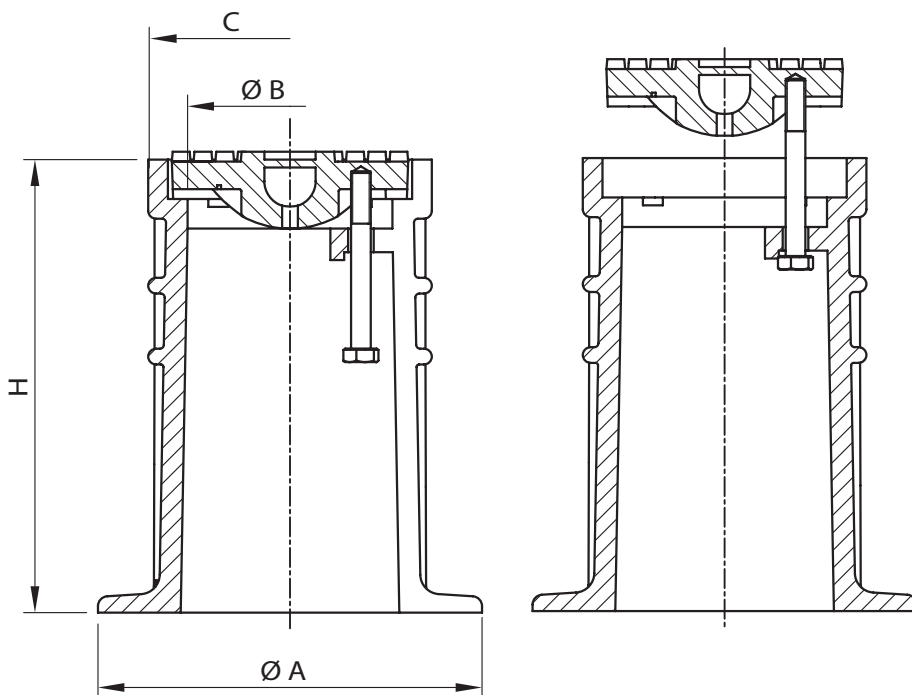
High density polyethylene HDPE

Cover

Ductile iron EN-GJL-400-15 / EN 1563.

Fixing guide screw

Stainless steel A2-70 EN ISO 3506.



MOD.	A	B	C	H	Weight (kg)
4401	195	104	144	230	3
4402	270	140	186	270	5