

BUTTERFLY VALVE C/W HYDRAULIC CONTROL

MOD. 11040

PN 10

DN 100-1600

MOD. 11041

PN 16

DN 100-1600

MOD. 11042

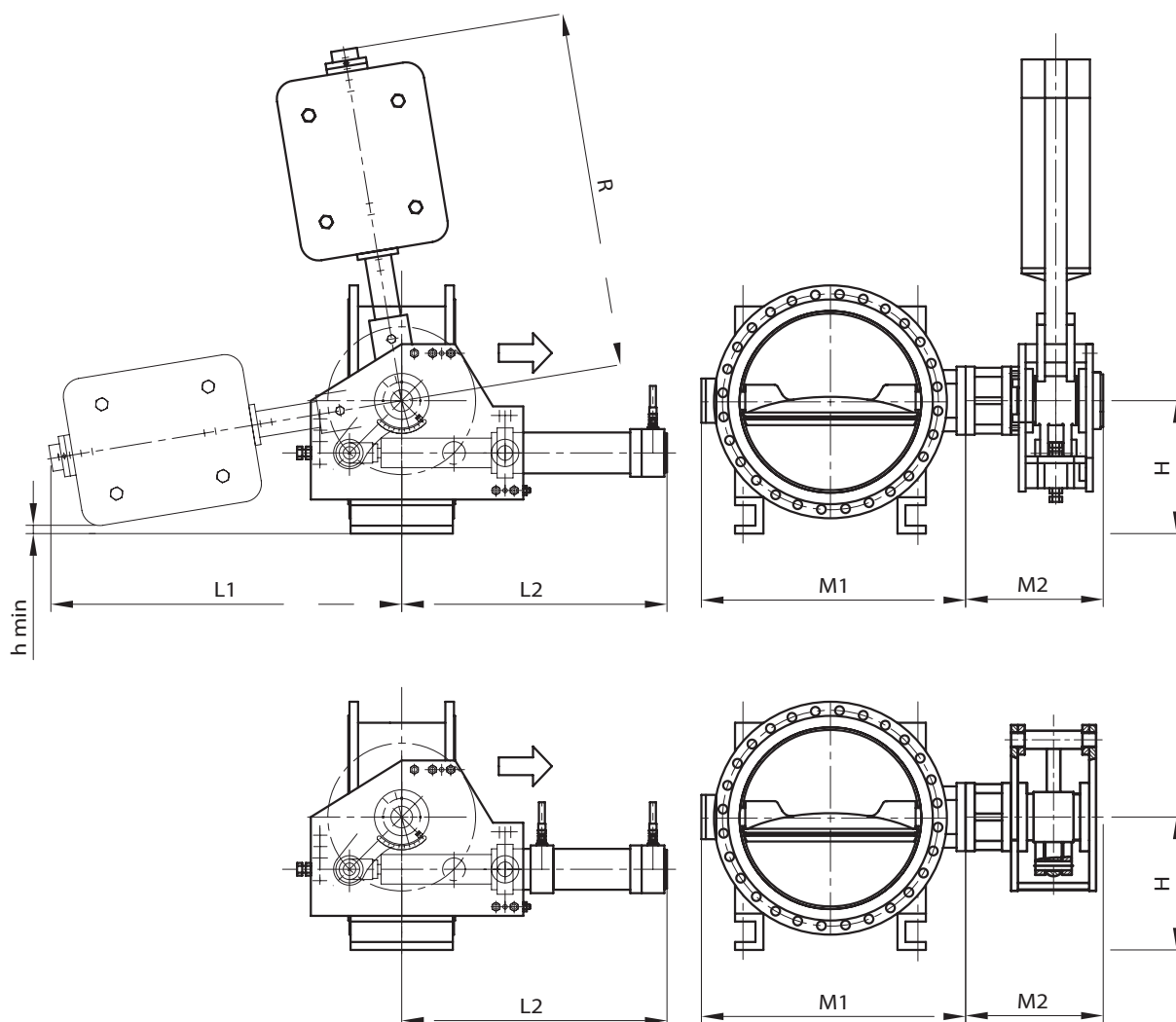
PN 25

DN 100-1600



Double eccentric butterfly valve with hydraulic control: by single effect hydraulic piston and closing counterweight or double effect hydraulic piston (opening/closing acting).

The valve c/w counterweight can be supplied as safety butterfly valve with mechanical overspeed detector and oleohydraulic control system.



MATERIALS

Body, disc, retainer ring:

Cast steel ASTM 216 Gr. WCB (equivalent to Fe510), internal and external epoxy coated
on demand ductile iron EN-GJS-500-7/EN 1563 (former to DIN GGG50), internal and external epoxy coated

Shaft and fixing stud bolts on disc:

Stainless steel 1.4021/EN ISO 10088
(equivalent to UNI X20Cr13 or AISI420)

O-Rings and disc sealing:

Rubber

Sealing seat:

Austenitic nickel-chromium stainless steel
(equivalent quality to AISI304)

Counterweight:

Steel

BUTTERFLY VALVE CW HYDRAULIC CONTROL

DN	PN	face to face dim.	L1	L2	M1	M2	H	R	hmin	Weight (kg)
100	10	190	600	620	253	287	210	620	-66	120
	16	190	600	620	253	287	210	620	-66	120
	25	190	600	620	280	287	215	620	-61	120
125	10	200	600	620	303	287	223	620	-53	125
	16	200	600	620	303	287	223	620	-53	125
	25	200	600	620	330	287	231	620	-45	130
150	10	210	600	620	336	287	237	620	-39	148
	16	210	600	620	336	287	237	620	-39	150
	25	210	620	640	358	340	242	620	-34	200
200	10	230	600	620	403	287	258	620	-18	150
	16	230	620	640	403	340	258	620	-18	200
	25	230	620	640	415	340	265	620	-11	200
250	10	250	620	640	468	340	280	620	5	230
	16	250	620	640	468	340	285	620	10	230
	25	250	620	640	493	340	295	620	20	240
300	10	270	620	640	527	340	315	620	40	260
	16	270	620	640	527	340	325	620	50	260
	25	270	715	680	582	345	335	740	3	280
350	10	290	620	640	597	340	342	620	67	300
	16	290	715	680	608	345	348	740	16	360
	25	290	819	725	605	405	360	850	-22	550
400	10	310	715	680	662	345	365	740	33	540
	16	310	819	725	662	405	370	850	-12	550
	25	310	1190	820	700	430	385	1250	-146	780
450	10	330	715	680	714	345	385	740	53	380
	16	330	819	725	726	405	395	850	13	580
	25	330	1190	820	757	430	405	1250	126	820
500	10	350	819	725	766	405	405	850	23	620
	16	350	1190	820	798	430	420	1250	-100	850
	25	350	1363	860	826	517	430	1410	-171	1100
600	10	390	819	725	896	405	445	850	63	710
	16	390	1190	820	945	430	465	1250	-66	980
	25	390	1363	860	975	440	470	1410	-132	1240
700	10	430	1190	820	1030	430	550	1250	18	1160
	16	430	1363	860	1076	440	555	1410	-47	1300
	25	430	1506	1025	1125	550	575	1560	-103	2100
800	10	470	1363	860	1165	440	590	1410	-12	1450
	16	470	1363	860	1165	440	600	1410	-2	1550
	25	470	1556	1090	1270	550	625	1610	-73	2650
900	10	510	1363	860	1304	440	640	1410	38	1600
	16	510	1506	1025	1304	550	645	1560	-33	2480
	25	510	1835	1160	1390	580	665	1900	-165	2900
1000	10	550	1506	1025	1435	550	700	1560	22	2940
	16	550	1556	1090	1444	550	710	1610	12	3300
	25	550	2232	1340	1547	680	740	2310	-183	3820
1200	10	630	1556	1090	1705	550	815	1610	117	3200
	16	630	1835	1160	1705	580	825	1900	-4	3800
	25	630	2154	1450	1750	715	845	2230	-110	6000
1400	10	710	2232	1340	1945	680	940	2310	17	4550
	16	710	2232	1340	1961	680	945	2310	22	4800
	25	710	2294	1840	2040	785	970	2375	-68	7950
1600	10	790	2154	1450	2085	715	1025	2230	70	6650
	16	790	2154	1450	2293	715	1030	2230	75	7600
	25	790	2294	1840	2375	785	1050	2375	12	9400
1800	10	870	2294	1840	2437	785	1090	2375	52	9100
	16	870	2400	2150	2447	840	1100	2485	-15	11400
	25	870	2400	2150	2530	840	1130	2485	15	13000