

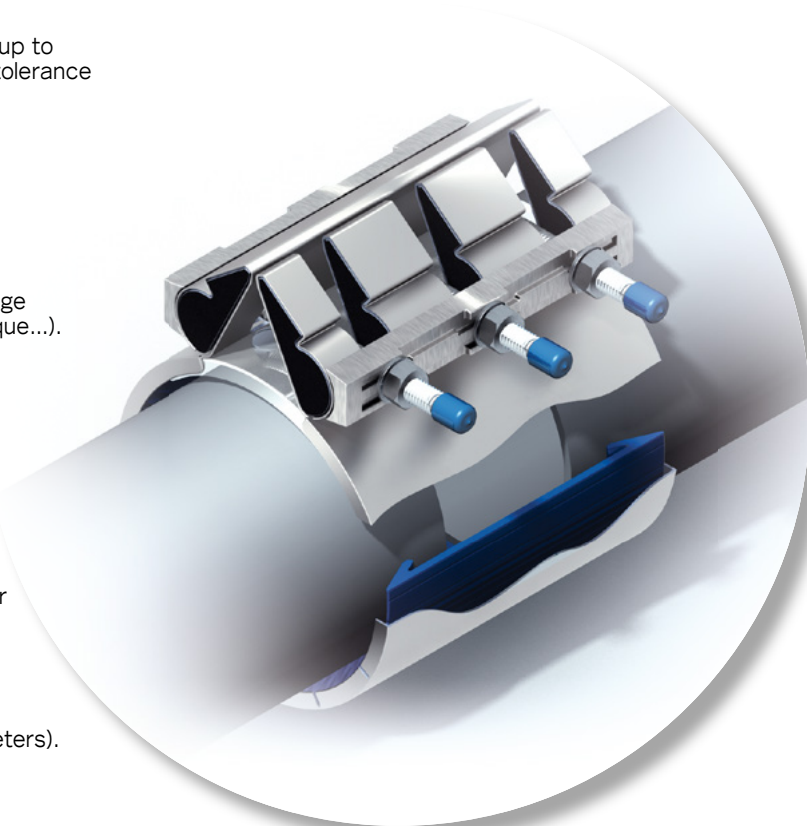
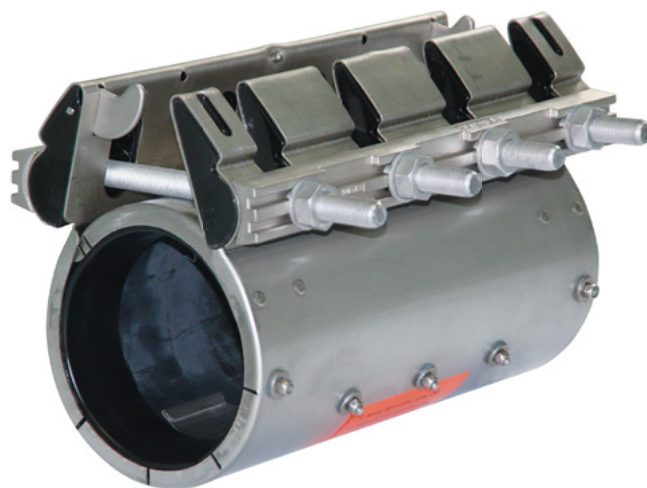
MOD. 10601 L = 140 mm	DN 50-350 PMA 16-24
MOD. 10602 L = 210 mm	DN 80-600 PMA 12-16-24
MOD. 10603 L = 280 mm	DN 50-600 PMA 11-12-16-24



Coupling and repair clamp 100% stainless steel, with pressure assisted gasket.

SPECIAL FEATURES

- High versatility: coupling and repair in a single product, allows not only the repairing of damaged pipes, but also the definitive connection of pipes of different materials, misaligned, non-aligned and of different dimensions, distance up to 22 cm (model 10603). It allows replacement of sleeves of asbestos-cement pipes.
- Sealing gasket with lip profile, with special design at the ends which ensures a perfect seal even with high operating pressures and dynamic deflection 3° per side (on the basis of DN and models).
- It works as a flexible joint: not realigning the ends of the broken pipe, unlike traditional collars, eliminates tension from which the break is derived and the risk of its repetition.
- Perfect sealing also on pipes ovalized or not smooth.
- No need of special tools or big excavation, neither pipe's preparation before mounting.
- Available with 12 mm tolerance from DN 50-80, up to 22mm tolerance from DN 80 up to 350, 32mm tolerance from DN 150 to DN 600.
- Coupling tolerance between pipes:
 - 4 mm for range 12 mm (DN 40-80).
 - 6 mm for range 22 mm (DN 80-150).
 - 10 mm mm for range 22/32 mm (DN 150-600).
- On every clamp an indelible label reports the range of application, mounting instructions, closing torque...).



MATERIALS

Body:

Stainless steel 1.4301 EN ISO 10088 (AISI 304)

Pressure assisted gasket:

EPDM rubber approved for potable water
NBR rubber approved for gas and potable water (not available on clamps model 10603)
Other on demand only for model 10601-10602

Bolts and nuts:

Stainless steel A2-70 with anti-galling treatment (M 12, M 14 o M 16 according to different diameters).

Inner plates:

Stainless steel 1.4301 EN ISO 10088 (AISI 304)

Compression beam:

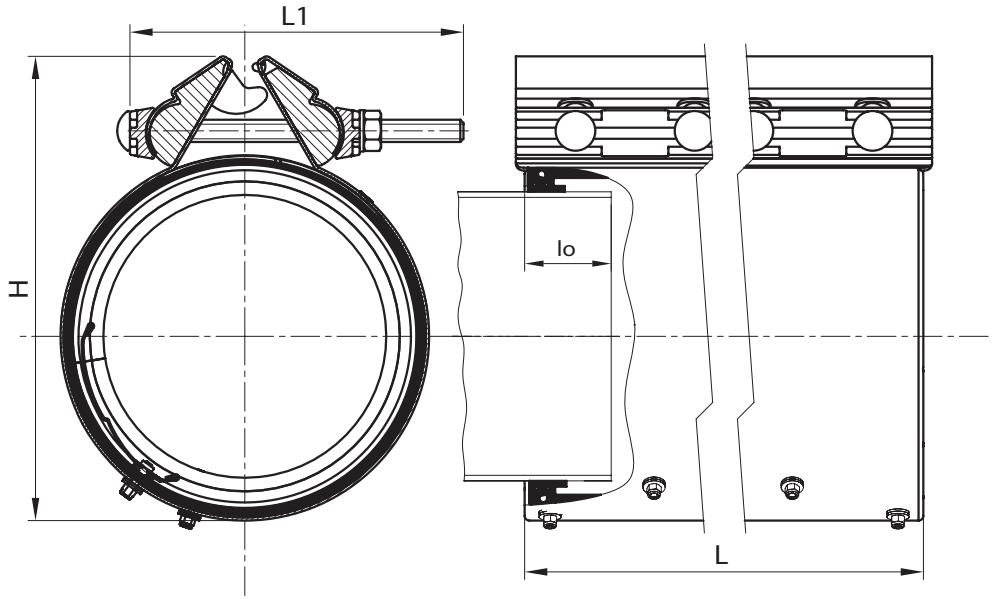
Stainless steel 1.4301 EN ISO 10088 (AISI 304)

Lugs:

Polycarbonate

bolts and nuts for assembling gasket/inner plate:

Stainless steel 1.4301 EN ISO 10088 (AISI 304)



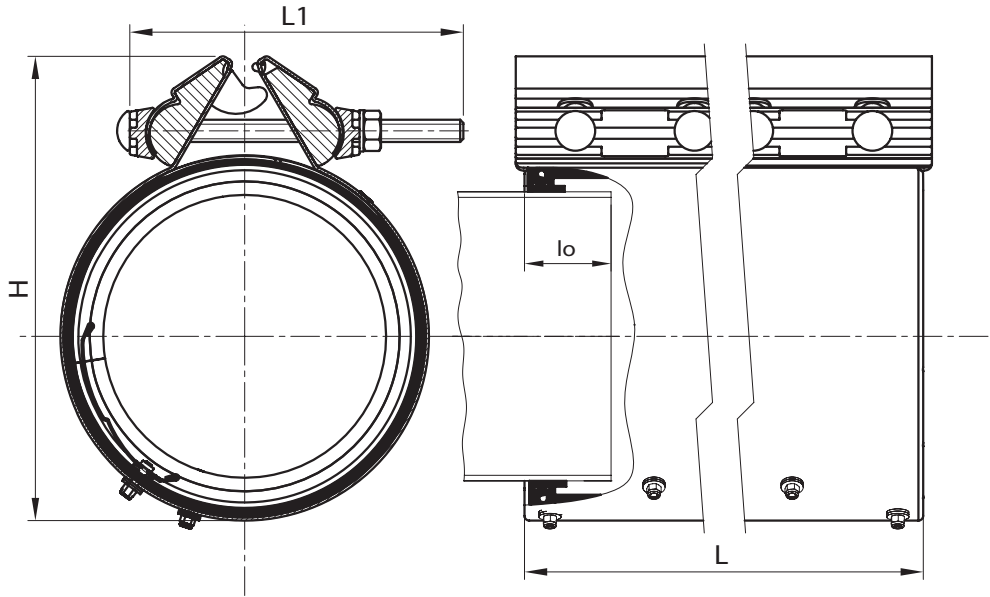
MODEL 10601 - L = 140 mm

	DN		RANGE			H (mm)	L1 (mm)	PMA (bar)			
	mm	pollici	TOT.	INF.	SUP.			24	16	12	11
REPAMAX 12	50	1,5	45-57	-	-	125	160	•	•		
	50	2	52-64	-	-	135	160	•	•		
	50	2	59-71	-	-	140	160	•	•		
	65	2,5	71-84	-	-	155	160	•	•		
	80	3	81-93	-	-	165	160	•	•		
REPAMAX 22	80	3	87-109	-	-	200	180	•	•		
	100	4	104-126	-	-	218	180	•	•		
	100	4	108-131	-	-	220	180	•	•		
	100	4	113-136	-	-	230	180	•	•		
	100	4	121-144	-	-	235	180	•	•		
	100	4	124-146	-	-	239	180		•		
	125	5	138-160	-	-	260	180	•	•		
	125	5	147-169	-	-	270	180	•	•		
	150	6	152-174	-	-	268	180		•		
	150	6	164-186	-	-	275	180		•		
	150	6	180-202	-	-	293	180		•		
	175	7	190-212	-	-	305	180		•		
	200	8	210-232	-	-	323	210		•		
	250	10	244-267	-	-	360	210		•		
	250	10	270-293	-	-	390	210		•		
250	10	286-308	-	-	405	210		•			
300	12	305-327	-	-	420	210		•			
300	12	322-344	-	-	440	210		•			
350	14	340-362	-	-	460	210		•			

Other ranges on demand.

lo minimum values: up to OD 300: 45-60 mm
350 ≤ OD ≤ 600: 60-75 mm

All metal, rubber, and coatings used have been designed for contact with water for human consumption, pursuant to the terms of Italian Health Ministry decree n° 174, dated 6/4/2004.



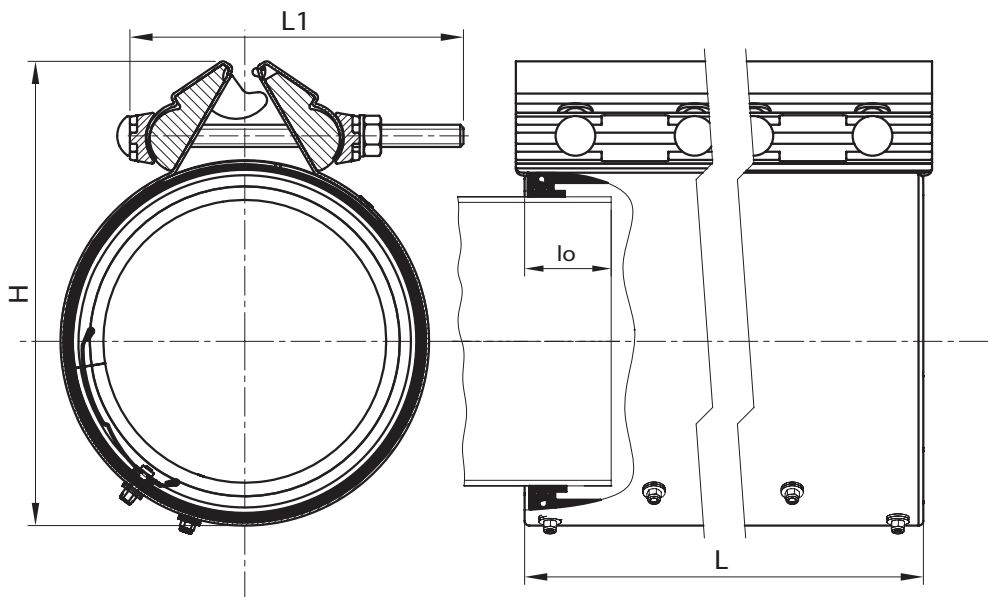
MODEL 10602 - L = 210 mm

	DN		RANGE			H (mm)	L1 (mm)	PMA (bar)			
	mm	pollici	TOT.	INF.	SUP.			24	16	12	11
REPAMAX 22	80	3	87-109	-	-	200	180	•	•		
	100	4	104-126	-	-	218	180	•	•		
	100	4	108-131	-	-	220	180	•	•		
	100	4	113-136	-	-	230	180	•	•		
	100	4	121-144	-	-	235	180	•	•		
	100	4	124-146	-	-	239	180		•		
	125	5	138-160	-	-	260	180	•	•		
	125	5	147-169	-	-	270	180		•		
	150	6	152-174	-	-	268	180		•		
	200	8	207-229	-	-	323	210		•		
	200	8	230-252	-	-	345	210		•		
	200	8	236-258	-	-	350	210		•		
	250	10	260-282	-	-	380	210		•		
	300	12	310-332	-	-	430	210		•		
	300	12	336-358	-	-	450	210		•		
350	14	363-385	-	-	480	210		•	•		
REPAMAX 32	150	6	158-190	158-174	173-190	290	210		•		
	150	6	163-195	163-179	178-195	295	210		•		
	175	7	190-222	190-206	205-222	325	210		•		
	200	8	217-250	217-234	233-250	350	210		•		
	225	9	248-280	248-264	263-280	350	210		•		
	250	10	272-305	272-289	288-305	410	210		•		
	250	10	278-311	278-295	294-311	415	210		•	•	
	300	12	313-347	313-331	330-347	460	210			•	
	300	12	320-352	320-337	336-352	465	210			•	
	350	14	334-366	334-350	349-366	475	210			•	
	350	14	352-384	352-368	367-384	485	240			•	
	400	16	388-420	388-404	403-420	520	240			•	
	400	16	404-436	404-420	419-436	540	240			•	
	450	18	434-466	434-450	449-466	570	240			•	
	450	18	466-498	466-482	481-498	600	240			•	
500	20	490-522	490-506	505-522	625	240			•		
500	20	528-560	528-544	543-560	660	240			•		
500	20	544-576	544-560	559-576	680	240			•		

Other ranges on demand.

lo minimum values: up to OD 300: 45-60 mm
350 ≤ OD ≤ 600: 60-75 mm

All metal, rubber, and coatings used have been designed for contact with water for human consumption, pursuant to the terms of Italian Health Ministry decree n° 174, dated 6/4/2004.



MODEL 10603 - L = 280 mm

	DN		RANGE			H (mm)	L1 (mm)	PMA (bar)			
	mm	pollici	TOT.	INF.	SUP.			24	16	12	11
REPAMAX 12	50	1,5	45-57	-	-	125	160	•	•		
	50	2	52-64	-	-	135	160	•	•		
	50	2	59-71	-	-	140	160	•	•		
	65	2,5	71-84	-	-	155	160	•	•		
	80	3	81-93	-	-	165	160	•	•		
REPAMAX 22	80	3	87-109	-	-	200	180		•		
	100	4	104-126	-	-	218	180	•	•		
	100	4	108-131	-	-	220	180	•	•		
	100	4	113-136	-	-	230	180		•		
	100	4	121-144	-	-	235	180		•		
	100	4	124-146	-	-	239	180		•		
	125	5	138-160	-	-	260	180		•		
	125	5	147-169	-	-	270	180		•		
	150	6	152-174	-	-	268	180		•		
	200	8	207-229	-	-	323	210		•		
REPAMAX 32	200	8	236-258	-	-	350	210		•		
	150	6	158-190	158-174	173-190	290	210		•		
	150	6	163-195	163-179	178-195	295	210		•		
	175	7	190-222	190-206	205-222	325	210		•		
	200	8	217-250	217-234	233-250	350	210		•		
	225	9	248-280	248-264	263-280	350	210		•		
	250	10	272-305	272-289	288-305	410	210		•		
	250	10	278-311	278-295	294-311	415	210		•	•	
	300	12	313-347	313-331	330-347	460	210		•	•	
	350	14	334-366	334-350	349-366	465	210			•	
	350	14	352-384	352-368	367-384	485	240			•	
	400	16	388-420	388-404	403-420	520	240			•	
	400	16	404-436	404-420	419-436	540	240			•	
450	18	434-466	434-450	449-466	570	240			•		
500	20	490-522	490-506	505-522	600	240			•		
600	24	606-638	606-622	621-638	625	240			•	•	

Other ranges on demand.

lo minimum values: up to OD 300: 45-60 mm
350≤OD≤600:60-75 mm

All metal, rubber, and coatings used have been designed for contact with water for human consumption, pursuant to the terms of Italian Health Ministry decree n° 174, dated 6/4/2004.